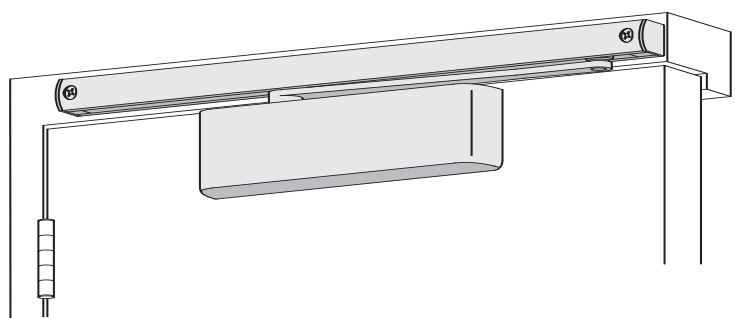


# LCN 4030T SERIES

FEATURES

**New  
4031T**

**CLOSER MOUNTS**  
**\*HINGE (PULL) SIDE**  
**TOP JAMB (PULL SIDE)**  
**STOP FACE (PUSH SIDE)**



\*HINGE (pull) side mount shown

*The 4031T is a single lever (track) arm, surface mounted closer designed for interior use on narrow head frames and top rails. The choice of three mountings and ease of installation offer a versatile solution to door control in moderate traffic applications. The 4030T compliments the heavy duty 4000 Series.*

- ▶ **Cast Iron**
- ▶ **Heat Treated Steel Pinion**
- ▶ **All Weather Fluid**
- ▶ **UL & cUL Listed**

- ▶ Standard 4031T series closer is shipped with a standard arm, metal cover, a standard track and wood/self-tapping machine screw pack. See 4030T Series page 37 for options.
- ▶ Non-sized 4031T cylinder for interior doors to 38" (965 mm).
- ▶ Closer mounts pull side on door, pull side on frame and push side on door, on either right or left swinging doors.
- ▶ Closer meets ADA requirements. See 4030T Series page 38.
- ▶ Standard or optional custom powder coat finish.
- ▶ Optional plated finish on metal cover, arm and fasteners.
- ▶ Optional SRI primer for installations in corrosive conditions is available with powder coat only.
- ▶ The 4030 Series is UL and cUL listed for Self-closing doors without hold-open.
- ▶ Tested and certified under ANSI Standard A156.4, grade one.

MOUNTING					FINISH		COVER	CYLINDER				**ARM FUNCTION									
●	●	○	○	●	○	●	○	●	●	○	○	○	○	○	○	○	○				
HINGE (PULL) SIDE	TOP JAMB (PULL)	TOP JAMB (PUSH)	PARALLEL ARM	STOP FACE	POWDER COAT	PLATED	PLASTIC	METAL	DESIGNER METAL	NON-HANDED	NON-SIZED	ACCESSIBILITY	DELAYED ACTION	AVB***	REGULAR (DOUBLE)	STANDARD (SINGLE)	HOLD-OPEN	FUSIBLE LINK	EDA/HEDA	CUSH/H/CUSH	SCUSH/SH/CUSH

● Available  
○ Not available

♿ Closer available with less than 5.0 lbs. opening force on 36" door.  
 \*\*Maximum opening/hold-open point with standard template. See individual closer series for degrees of opening per installation.  
 \*\*\* Advanced Variable Backcheck

# LCN 4030T SERIES

## MOUNTING DETAILS

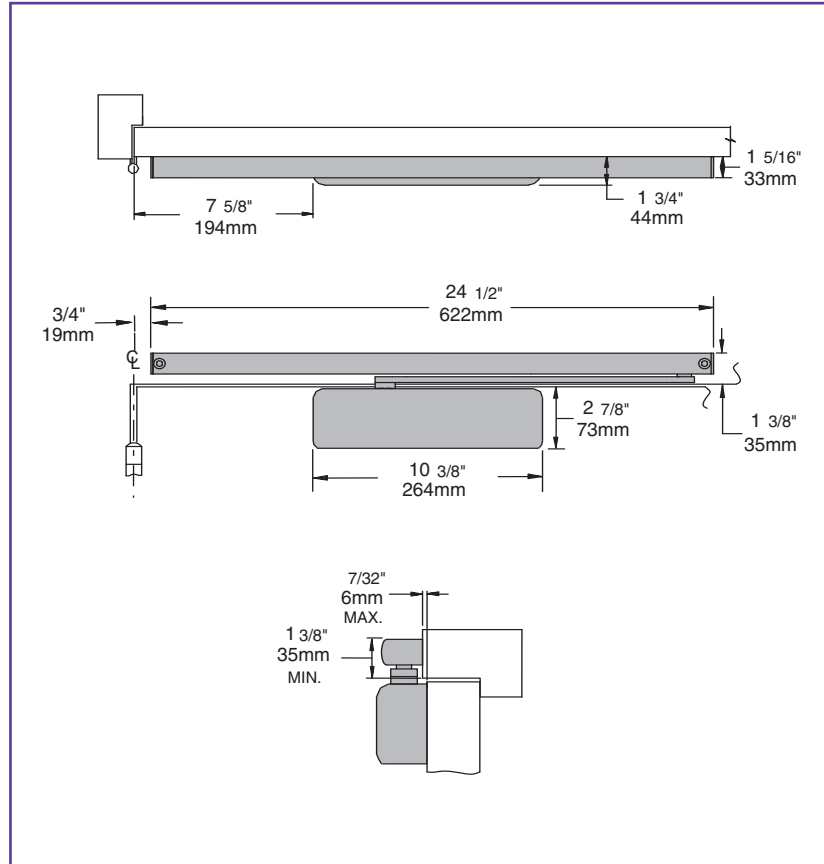
### HINGE (PULL) SIDE MOUNTING

#### MAXIMUM OPENING

Can be templated for 180°.

Consult factory if door will be held open at 180°

Hold-open points up to 110° opening with hold-open option.



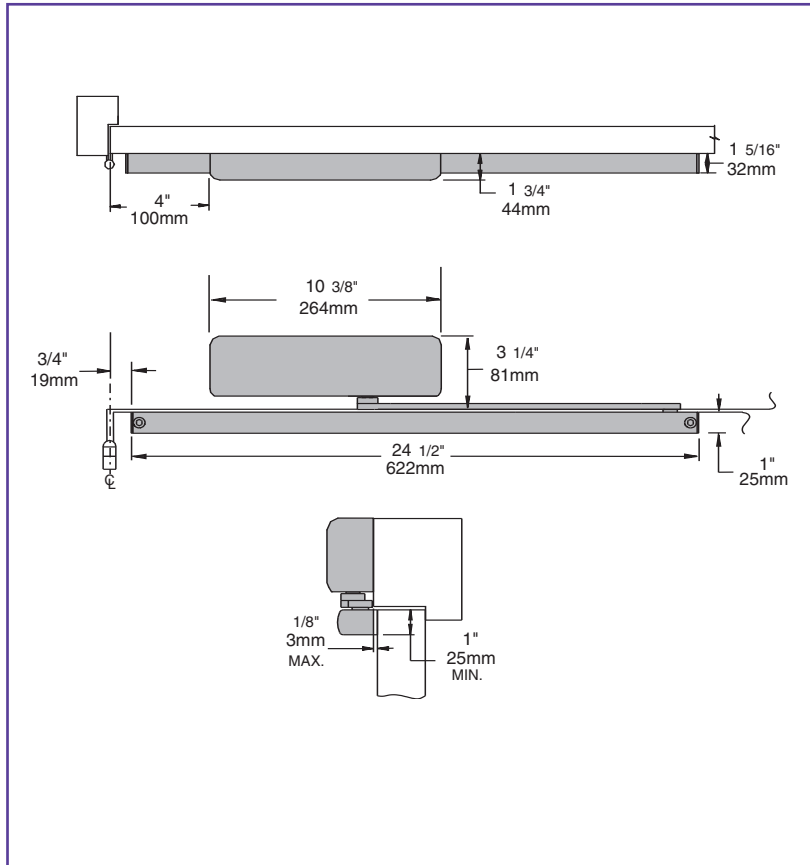
- ▶ **Butt Hinges** should not exceed 5" (127 mm) in width.
- ▶ **Auxiliary Stop** is recommended at hold-open point or where a door cannot swing 180°.
- ▶ **Reveal** should not exceed 7/32" (6 mm).
- ▶ **Top Rail** requires 2 7/8" (73 mm) minimum.
- ▶ **Clearance** of 1 3/4" (44 mm) behind door required for installation.

#### Options

- ▶ Hold-open track.

#### Special Templates

Customized installation templates or products may be available to solve unusual applications. Contact LCN for assistance.



## TOP JAMB (PULL SIDE) MOUNTING

### MAXIMUM OPENING

Can be templated for 180°.

Consult factory if door will be held open at 180°

Hold-open points up to 110° opening with hold-open option.

- ▶ **Butt Hinges** should not exceed 5" (127 mm) in width.
- ▶ **Auxiliary Stop** is recommended at hold-open point or where the door cannot swing 180°.
- ▶ **Reveal** should not exceed 1/8" (3 mm).
- ▶ **Top Rail** requires 1" (25 mm) minimum.
- ▶ **Head Frame** requires 2 7/8" (73 mm) minimum.

### Options

- ▶ Hold-open track.

### Special Templates

Customized installation templates or products may be available to solve unusual applications. Contact LCN for assistance.

# LCN 4030T SERIES

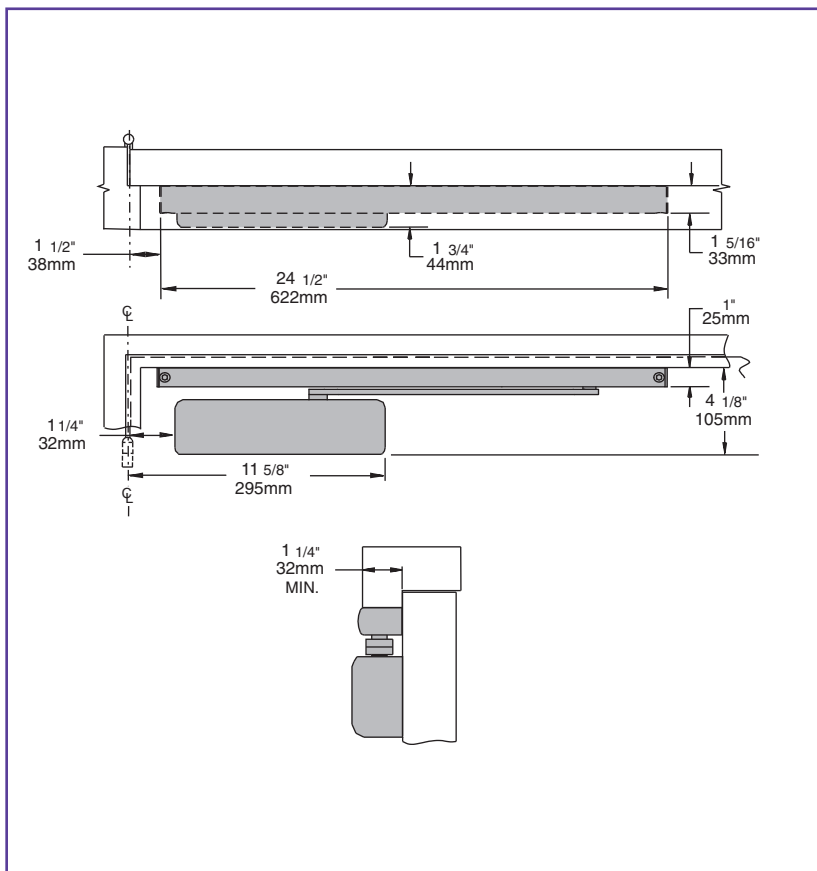
## MOUNTING DETAILS

### STOP FACE (PUSH SIDE) MOUNTING

#### MAXIMUM OPENING

Can be templated for  
110°.

Hold-open points up to maximum  
opening with hold-open option.



- ▶ **Butt Hinges** should not exceed 5" (127 mm) in width.
- ▶ **Auxiliary Stop** is recommended at hold-open point or where a door cannot swing 120°.
- ▶ **Clearance** projects 1 3/4" (44 mm).
- ▶ **Top Rail** requires 4 1/8" (105mm) minimum measured from the stop.
- ▶ **Stop Width** minimum 1 1/4" (32 mm).

#### Options

- ▶ Hold-open track.

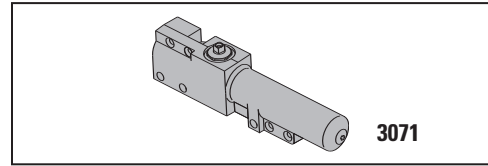
#### Special Templates

Customized installation templates  
or products may be available to  
solve unusual applications.  
Contact LCN for assistance.

## CYLINDERS

### CYLINDER, 4031T-3071

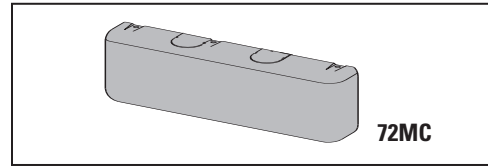
Standard, non-handed cast iron cylinder assembly.



## COVERS

### COVER, 4030T-72MC

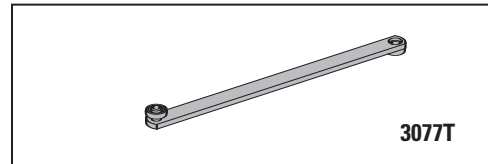
Non-handed metal cover.



## ARMS

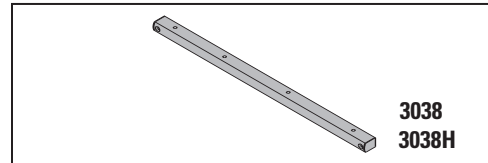
### STANDARD ARM, 4030T-3077T

Non-handed single lever arm mounts hinge side, top jamb or stop face. Track roller included with arm.



### STANDARD TRACK, 4030T-3038

Standard, non hold-open, non-handed track mounts on either side of the door. Will accept hold-open clip.

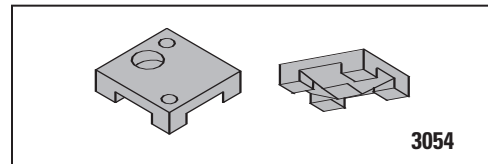


### HOLD-OPEN TRACK, 4030T-3038H

Optional non-handed hold-open track mounts on either side of the door. Comes with 4030T-3054 Hold-open clip.

### HOLD-OPEN CLIP, 4030T-3054

Mounts in track to provide hold-open function. Hold-open point controlled by clip location.

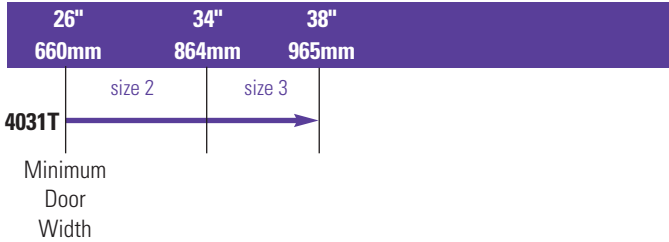


# LCN 4030T SERIES

**TABLE OF SIZES** Non-sized 4031T cylinder is adjustable from sizes 1 to 3 and is shipped set to size 3.

→ Indicates recommended range of door width for closer size.

**INTERIOR DOOR WIDTH**



## HOW-TO-ORDER 4030T SERIES CLOSERS

**1. SELECT FINISH**

- Standard Powder Coat \_\_\_\_\_  
Aluminum, Dark Bronze, Tan, Statuary, Light Bronze, Black, Brass.

**Closer will be shipped with:**

- STANDARD CYLINDER
- STANDARD METAL COVER,
- STANDARD TRACK
- STANDARD ARM
- TRACK ROLLER
- Wood and Self-tapping Machine screw pack unless options listed below are indicated.

### CLOSER OPTIONS

**TRACK**

- Hold-open (H)

**FINISH**

- Custom Powder Coat (RAL) \_\_\_\_\_
- Plated Finish, US \_\_\_\_\_
- SRI primer


**SCREW PACK**

- TB\*, Wood & Machine Screws (TBWMS)

### REDUCED OPENING FORCE 4030T CLOSERS

**CAUTION!** Any manual door closer, including those certified by BHMA to conform to ANSI Standard A156.4, that is selected, installed and adjusted based on ADA or other reduced opening force requirements may not provide sufficient power to reliably close and latch a door.

Refer to POWER OPERATORS section for information on systems that meet reduced opening force requirements without affecting closing power.

	DOOR WIDTH	36"	42"	48"
	8.5* lbs.	N/A	N/A	N/A
	5.0* lbs.	4031T	4031T	4031T

\* Maximum opening force